

**HOTEDGE**<sup>®</sup>  
ROOF ICE MELT

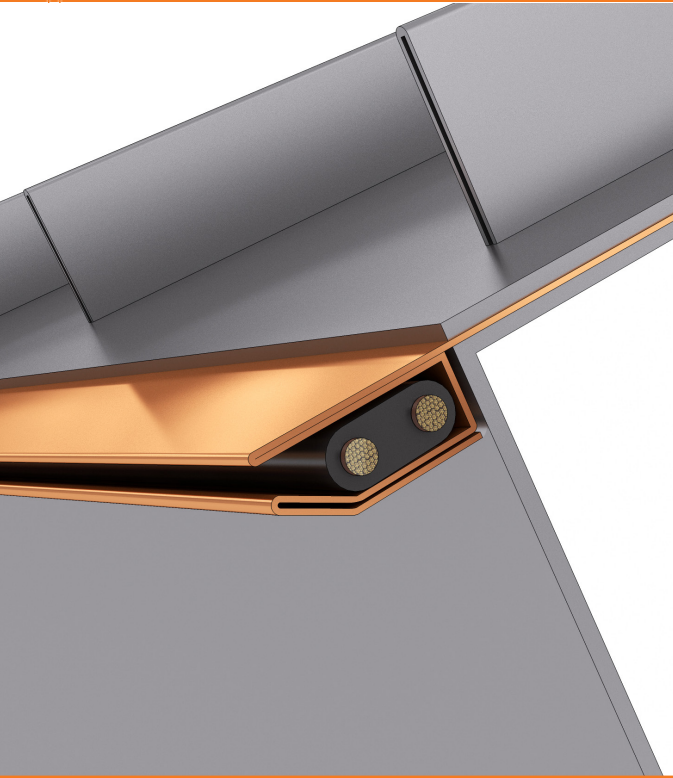
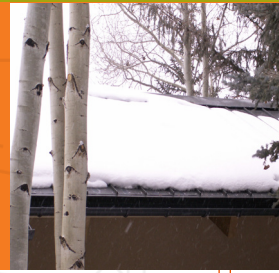
**HotDrip**<sup>™</sup>



[www.hotedge.com](http://www.hotedge.com)

800.411.3296

32



HotDrip product is designed to prevent icicles and ice dams from forming at the edge of “A-Style” metal roof edges utilizing a commercial-grade 12W self-regulating UL-approved for roof and gutter deicing heat cable. Many metal roof edges do not have a metal lip/drip edge and use a 90 degree edge. This “A-Style” is used in the rakes of gable roof ends to achieve a neat even finish designed to simply cover and protect exposed wood sheathing edges from moisture deterioration. This flush mounted roof edge is just flashing with a 90 degree bend and with a small offset hem at the bottom which prevents snowmelt from running down the fascia board. For simple installation, HotDrip slips between a small horizontal gap between the bottom edge of the metal roofing material and the top surface of the cap. It is important to confirm that this horizontal gap exists and to understand how the roofing material is secured, i.e. the space available to slide HotDrip into the horizontal gap, i.e. 2.5 or 4.5 inches, etc.

## EXCLUSIVE FEATURES

**SECURE:** An engineered channel was developed to receive existing composite asphalt shingles

**SIMPLE & FAST INSTALLATION:** Simple design installs easily on all EXISTING asphalt composite shingle roofs

**NEC Compliant:** The engineered open raceway design conforms to the NEC (National Electrical Code) Article 426 and provides access for insertion, inspection and replacement

**NO MODIFICATIONS:** This one piece design requires no shingle cutting or removal. Avoids damaging or modifying existing roof shingles which saves time on installations to reduce overall cost of project

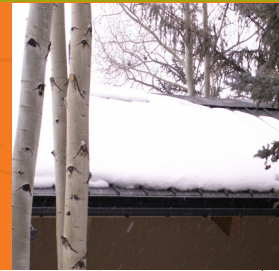
**LESS HEAT TRACE CABLE NEEDED:** The benefit of a direct heat transfer is less heat trace cable is needed to prevent ice dam and icicles formations on all roof edges

**A “GREEN” SOLUTION:** Less heat trace cable means lower energy costs. In fact, all HotEdge roof edge melt systems use at least 50% less heat trace cable than all other alternatives, i.e. zig zag and aluminum metal tracks

**WARRANTY:** Industry leading 10-year limited warranty against heat cable failures and manufacture defects assures a long service. Heat trace cable is protected from UV light and snow/ice shifts and slides

**COLOR MATCH:** Our expansive inventory and nationwide network allows HotEdge to best match existing roof or trim color

01 00



## SPECIFICATIONS

### MATERIAL SELECTION:

.021" Copper, 24 gauge Kynar 500 Steel or .032 Aluminum Kynar 500

### COLOR:

Our expansive inventory and nationwide network allows HotEdge to best match existing roof or trim color

### DIMENSIONS:

5' lengths and commercial grade adhesive included

### HEATING SYSTEM:

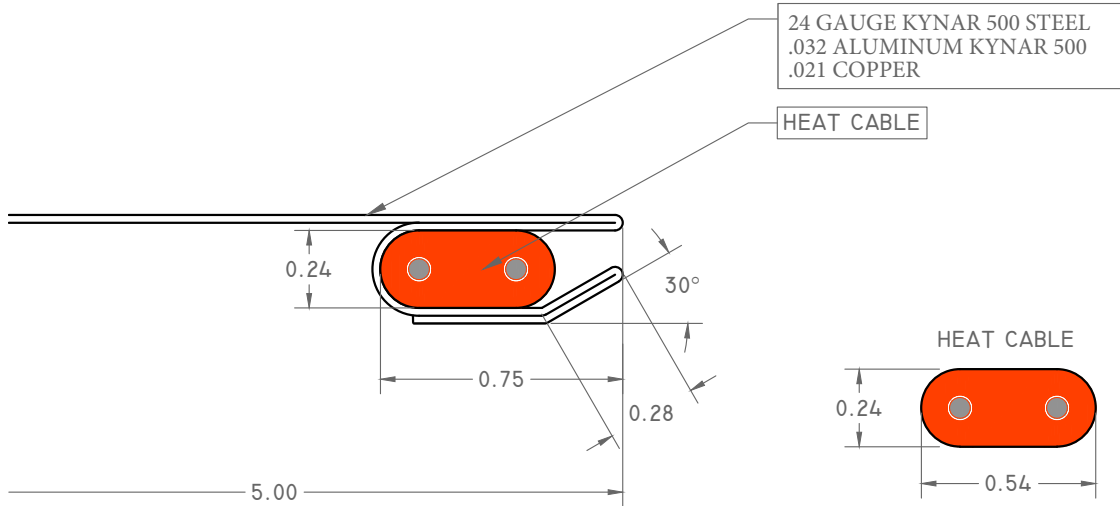
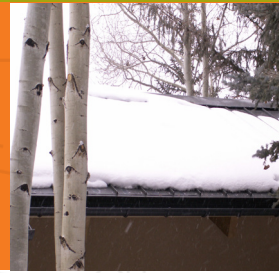
Commercial-grade 12-watt/ft self-regulating heat cable, UL-approved for roof and gutter deicing

### COMPONENTS:

HotDrip, commercial-grade 12W self-regulating UL-approved for roof and gutter deicing heat cable heat cable, commercial grade adhesive

### ELECTRICAL REQUIREMENTS:

120VAC, or 208-277VAC. NEC Article 426.28 requires 30mA ground fault circuit protection for roof ice melting systems

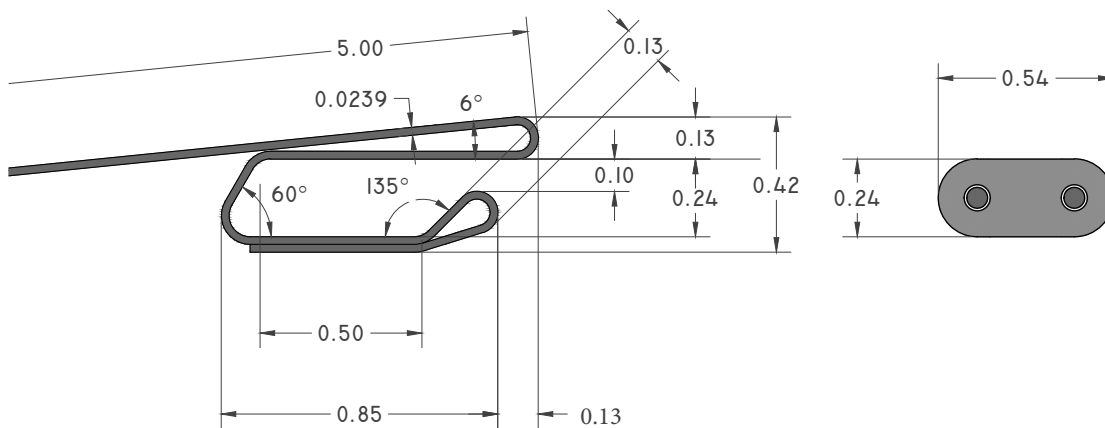


## The HotDrip Roof Ice Melt System

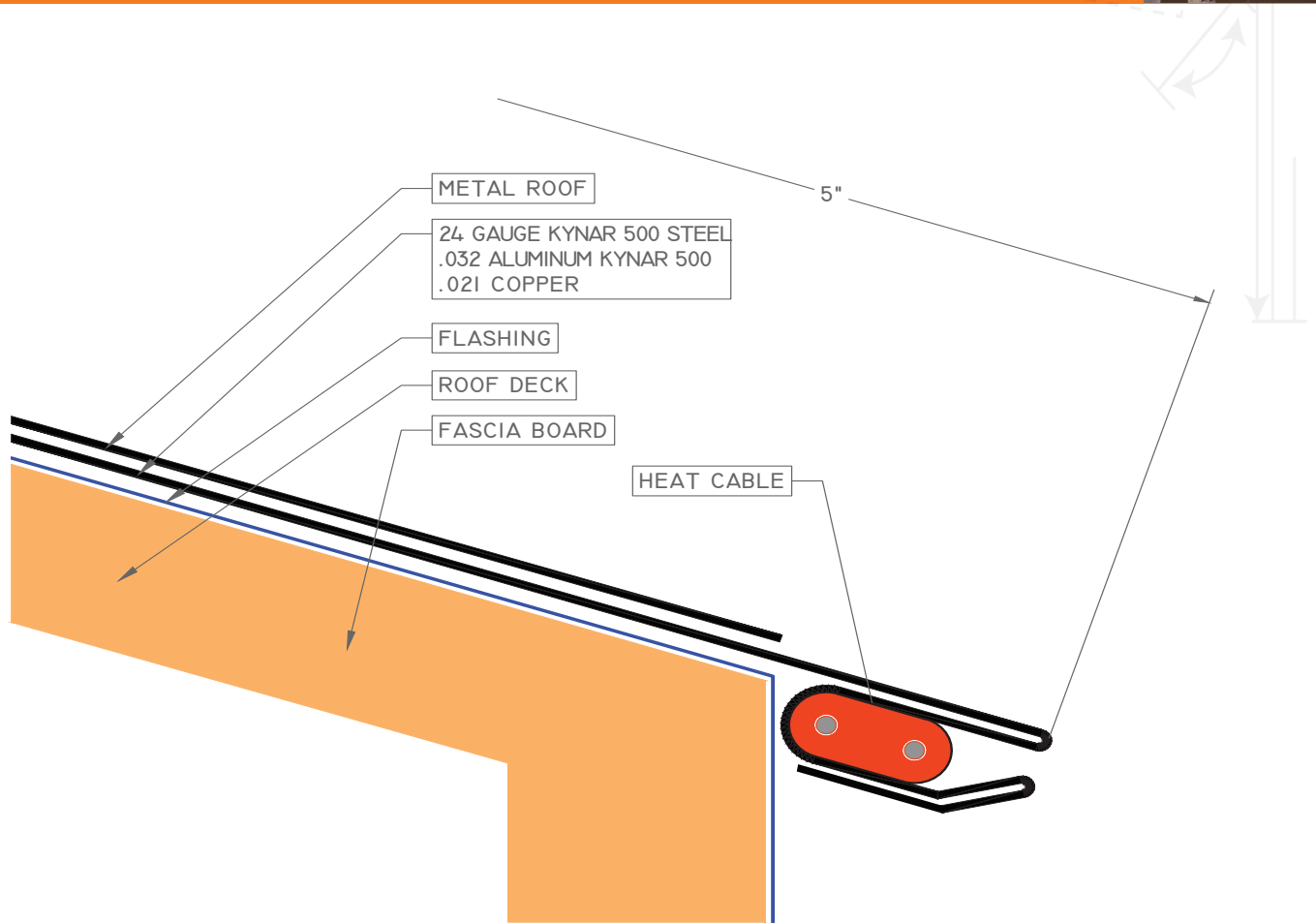
The HotDrip is used to create a metal drip edge on all A-style metal roof structures designed without a drip edge. HotDrip is a simple one-piece design with a raceway built in to secure a commercial-grade self-regulating heat cable.

In this type of roof design, typically the roofing material is laid on top of the metal fascia cap. There is usually a small horizontal gap between the bottom of the roofing material and the top surface of the cap. It is important to confirm that this horizontal gap is present.

**Warning:** Low cost, constant current heat cable must not be used. Only safety agency UL listed, self-regulating ice and snow heat cable for structures that is provided with the system can be used.



SCALE 2:1



## HotDrip Installation

HotDrip slides into the horizontal gap between the top of the metal fascia cap and the bottom of the roofing material (see above). Sometimes the cap is held in place with rivet type attachments through the top roofing material. In this case, HotDrip needs to be notched at the job site to allow it to be slid into place. In all cases the back of the HotDrip is installed flush with the front face of the metal fascia cap.





## HotDrip™ Harmonized Part Number Nomenclature

**HDP A 090 — S - HAGR — 060 — XX — REV06**

<b>HotDrip Products</b>	<b>Material &amp; Color</b>	<b>Length</b>	<b>Options</b>
<p>HotDrip Adaptor Angle Facia Pitch</p> <p>HDP A 090 = HotDrip 90° (0:12)</p> <p>Consult factory for custom angles</p>	<p><b>Material</b></p> <p>C = Copper, 0.021", 16oz., ½ hard</p> <p>S = Painted Kynar 500 Steel 0.019"</p> <p>A = Painted Kynar 500 Aluminum, 0.032"</p> <p><b>Color</b></p> <p>NATC = Natural Copper (For Copper Material)</p> <p><b>Standard colors</b></p> <p>ALMD= Almond            CLRD = Colonial Red            HMGR = Hemlock Green            SLBL = Slate Blue BNWH = Bone White COPE = Copper Penny MNBN = Mansard Brown SLGR = Slate Gray MABL = Matte Black DKBZ = Dark Bronze MDBZ = Medium Bronze CLGR = Classic Green HAGR = Hartford Green SRTN = Sierra Tan</p>	<p>060 = 60"</p>	<p>XX = No Options</p> <p>BTP = Build to Print (Special Order Only)</p>